

Bomba



schiaavello

Bomba



Bomba is a communal activity; its real meaning is about the encounter and creative relationship between all its participants.

schiavello.com/bomba

schiavello

schiavello

Ivan Woods

Schiavello and Ivan Woods have a long history. Our collaborative design process, which has evolved over many years, has yielded distinctive collections such as Kayt and Toro. Ivan enriches his designs' emotional qualities through fine detailing, influenced by a strong architectural sensibility and carefully considered geometry. The combination of individual and robust personalities in his designs has a unique outcome that has lent his products to a diverse range of scenarios.

Ivan grew up in Australia and studied interior architecture in Perth. Having designed interiors and products for over 30 years, Ivan has created work for the Langham Hotel and Marriot Hotel and on projects internationally spanning the UK, US, Germany and Italy.



Alluring and timeless

Bomba features soft, angled volumes floating on polished aluminium or Oak legs. The legs are available in polished, black-coated, grey-coated and white-coated aluminium. The Oak legs and arms are available in a selection of stains or paints, each variation providing a unique aesthetic.





Bomba configurations

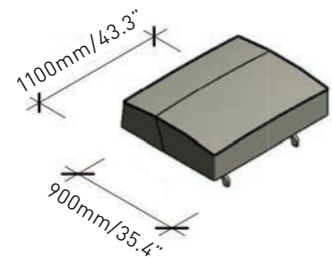
Bomba Sofa is a part of a system that includes individual pieces of furniture that create stand alone, linear and corner configurations. Depending on the configuration selection, the Bomba Sofa system can take an either formal or casual attitude across small, medium and large environments.

Much like its namesake, the Bomba – a Latin American musical style where the dancer's movements dictate the beat of the drums – Bomba Sofa is led by the user's requirements.

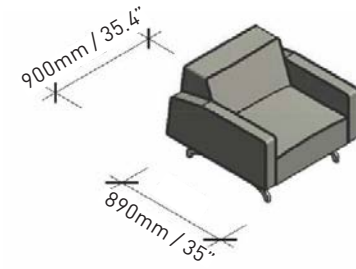


Stand alone

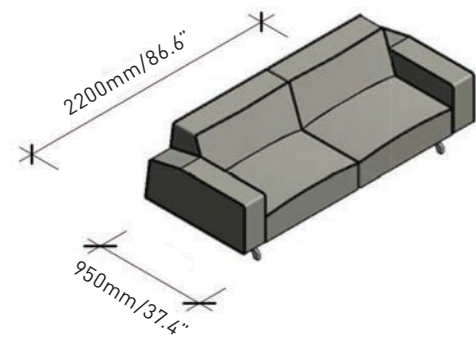
CODE: BBS1-B1



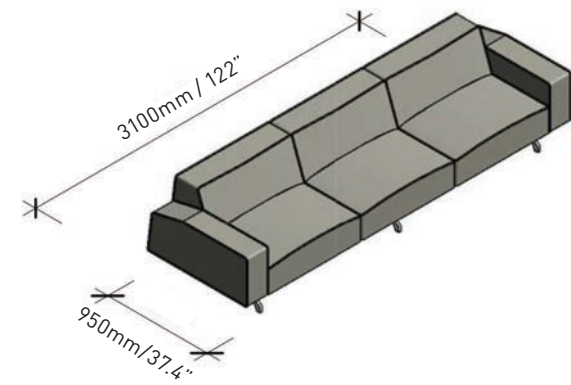
CODE: BBS1-UA1



CODE: BBS1-UA2



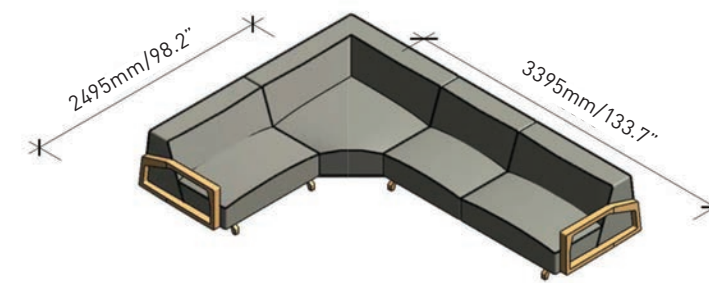
CODE: BBS1-UA3



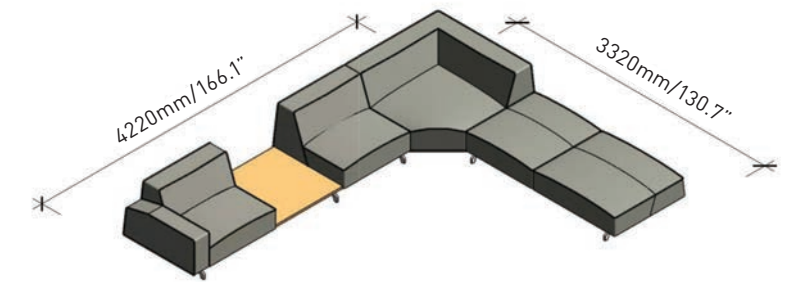
All measurements are in millimeters (mm)

Corner

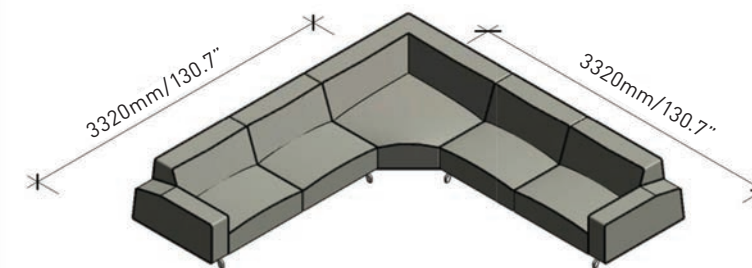
CODE: BBC-CNR-201



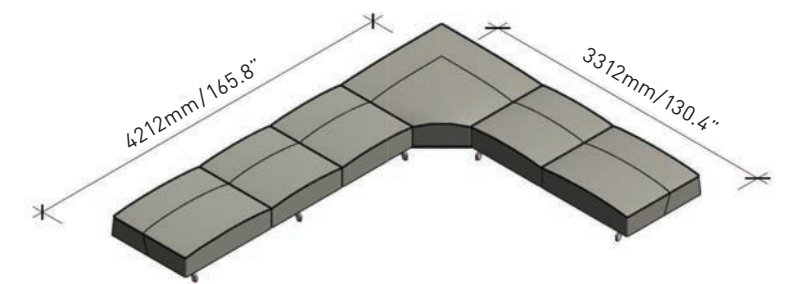
CODE: BBC-CNR-202



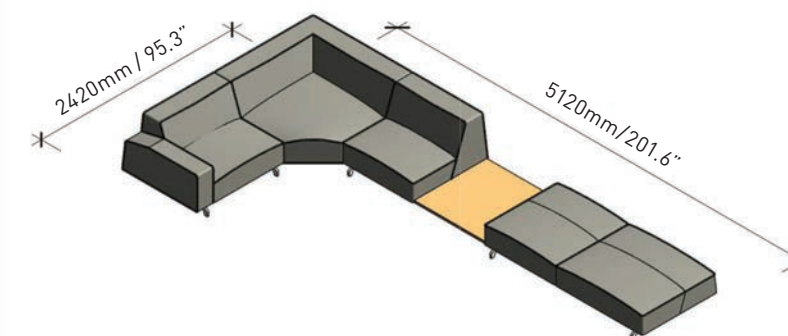
CODE: BBC-CNR-204



CODE: BBC-CNR-205

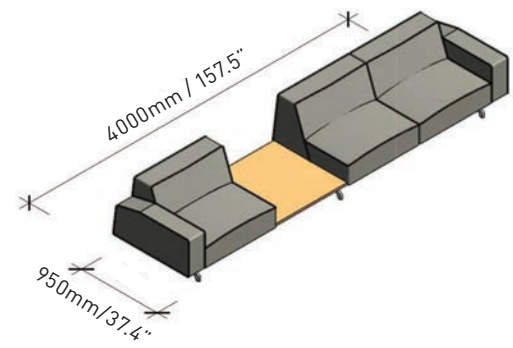


CODE: BBC-CNR-203

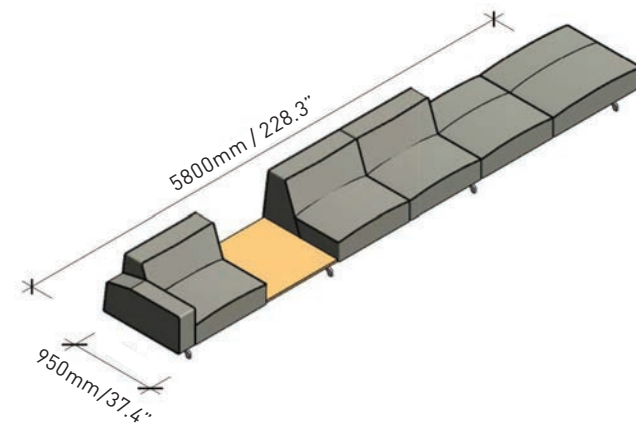


Linear

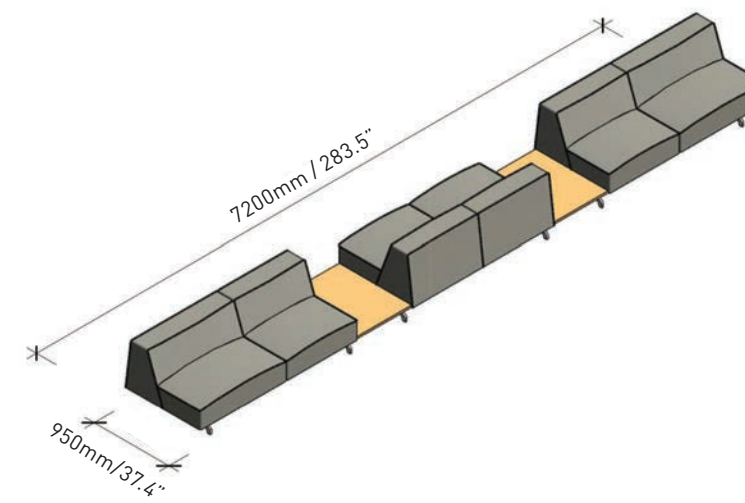
CODE: BBC-LIN-301



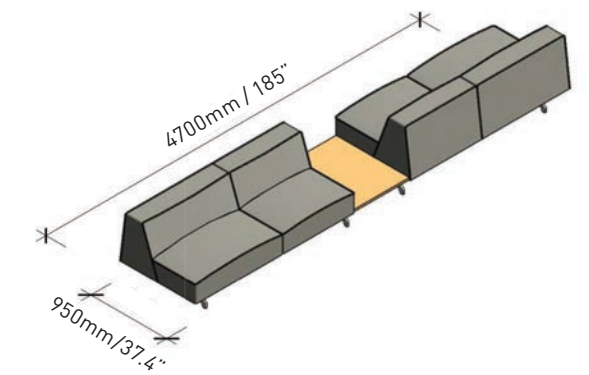
CODE: BBC-LIN-302



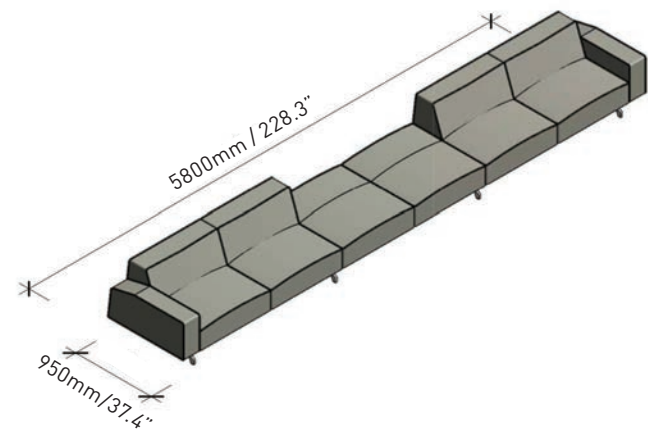
CODE: BBC-LIN-307



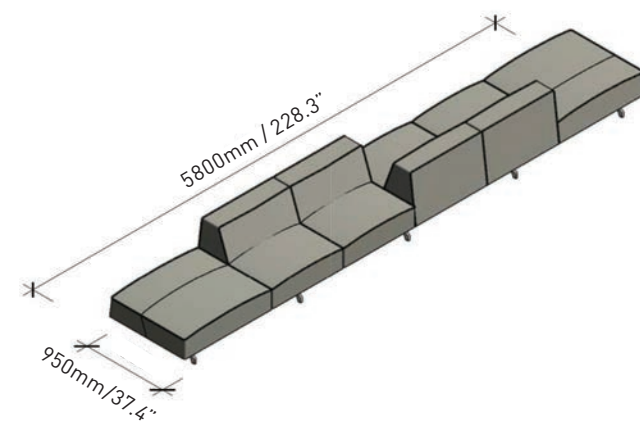
CODE: BBC-LIN-308



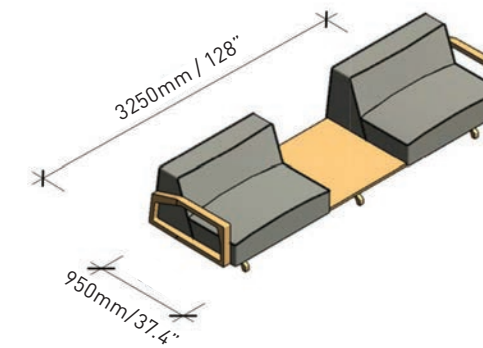
CODE: BBC-LIN-305



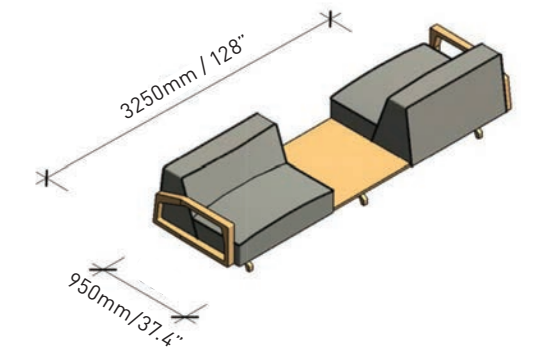
CODE: BBC-LIN-306



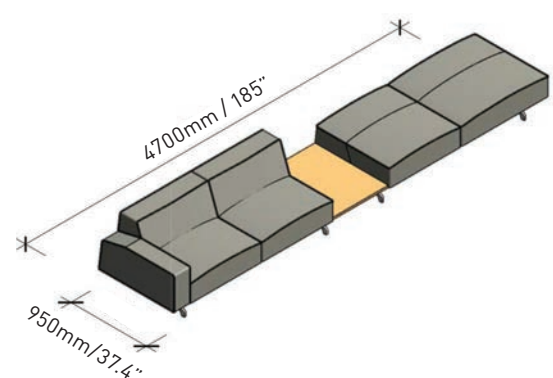
CODE: BBS6-TA3T9



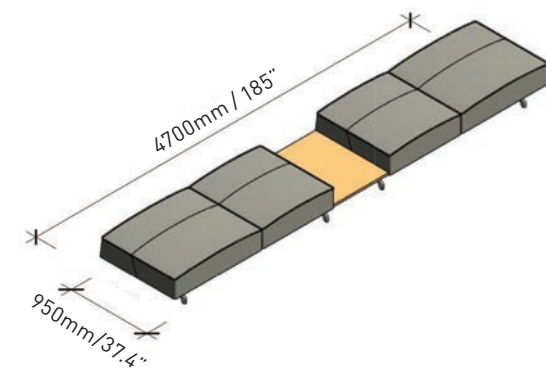
CODE: BBS6-TA3T9L-REV



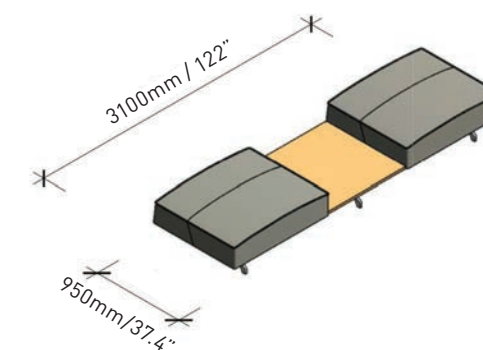
CODE: BBC-LIN-303



CODE: BBC-LIN-304



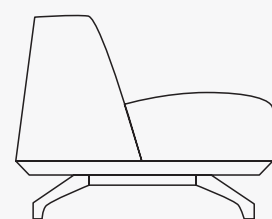
CODE: BBS6-B3T9



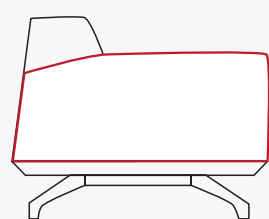
ColourLab

Finishes

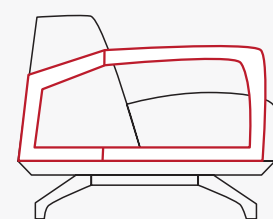
Schiavello's innovative ColourLab brings a considered and cohesive palette of finishes to working and living spaces. Curated by Giulio Ridolfo and developed by Schiavello, the new palette beautifully balances colour, texture and layering across a variety of materials.



No Armrest



Upholstered

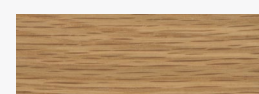


Timber

Armsets and legs

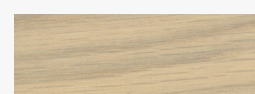
TIMBER NATURAL

Species

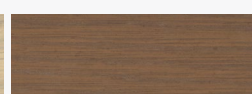


Oak

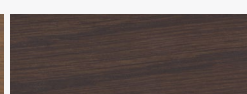
Applied Finishes



Limewood



Walnut Bianco



Walnut Milano

TIMBER PAINT



TIMBER WASH



ALUMINIUM

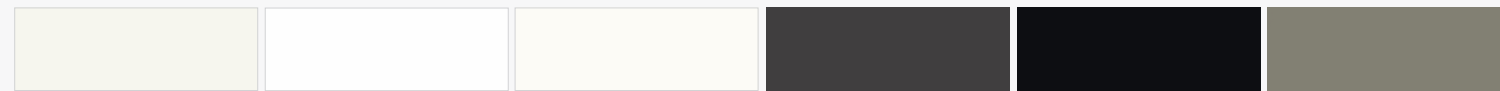


Aluminium

FINISH

- Satin
- ‡ Texture

METAL POWDER COAT & POLISH



Ash • Strata ‡• Parchment ‡• Obsidian Glass ‡• Black ‡• Stone Grey •



Silk Grey • Cement Grey • Grey Beige • Oxide Red • Signal Brown • Orange Brown •



Pale Green • Emerald Green • Fir Green • Ruby Red • Traffic Red • Blush •



Colza Yellow • Sulfur Yellow • Steel Blue • Gentian Blue •

Upholstery

CATEGORY 1
Messenger
& Metric

CATEGORY 2
Field & Mode

FABRIC

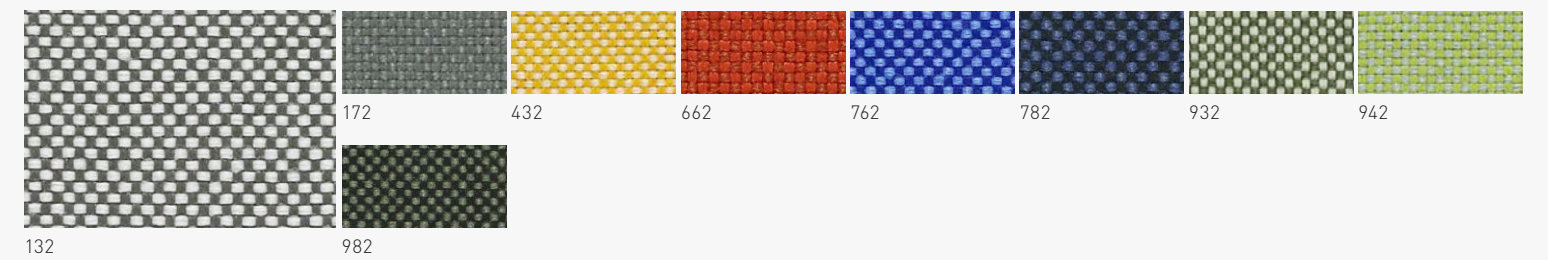
MESSENGER / C1



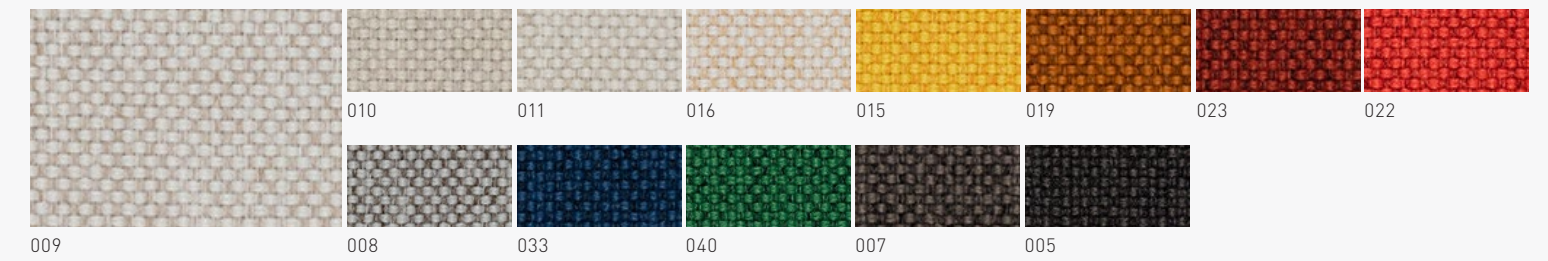
METRIC / C1



FIELD / C2



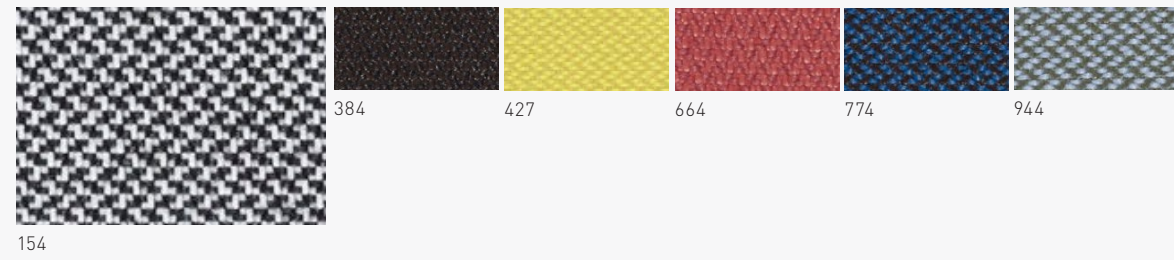
MODE / C2



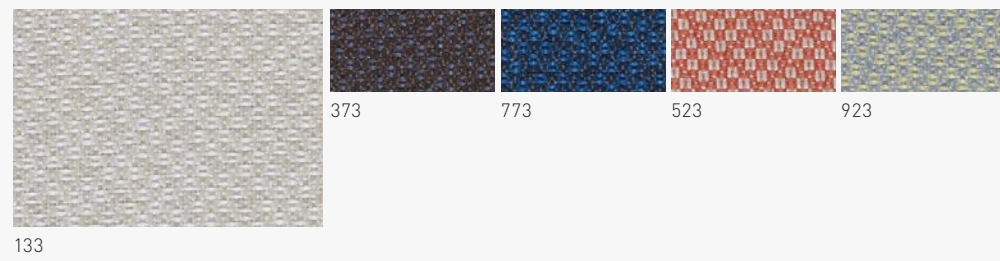
CATEGORY 2
Revive 1, Revive 2
& Umami

CATEGORY 3
Clara 2

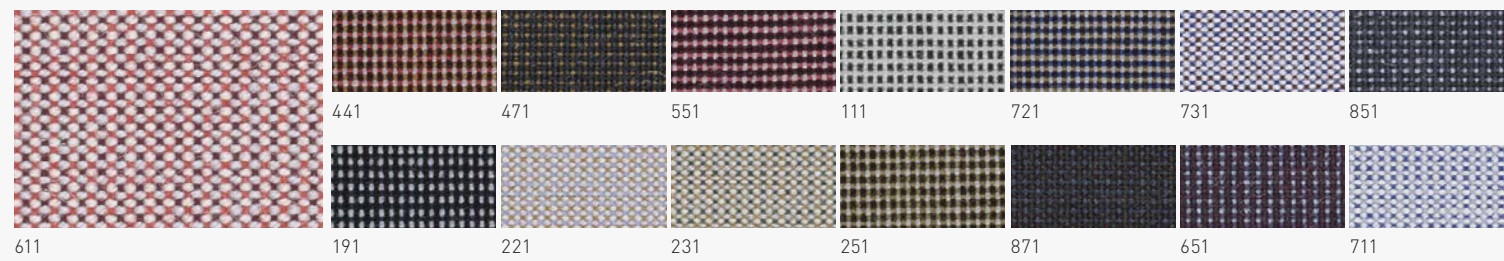
REVIVE 1 / C2



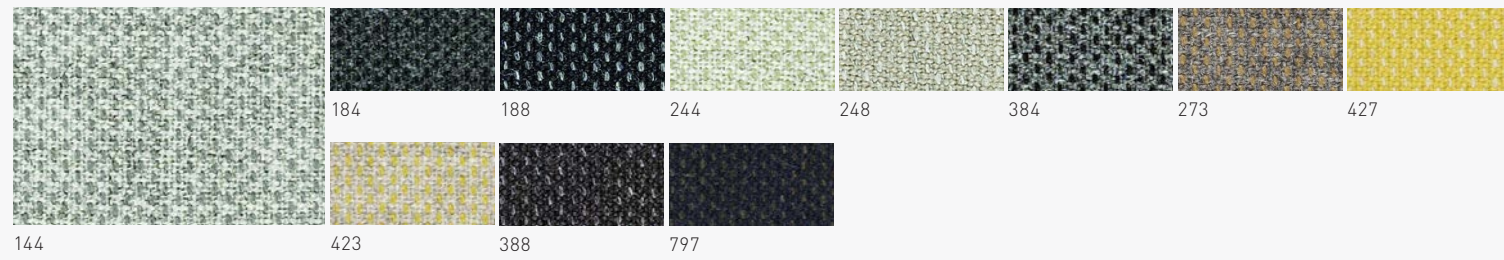
REVIVE 2 / C2



UMAMI / C2



CLARA 2 / C3

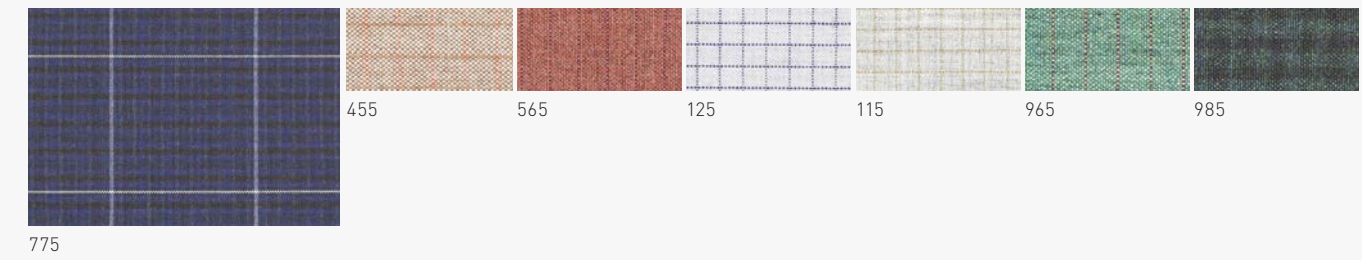


CATEGORY 3
Maple, Recheck,
& Pine, Remix 2

MAPLE / C3



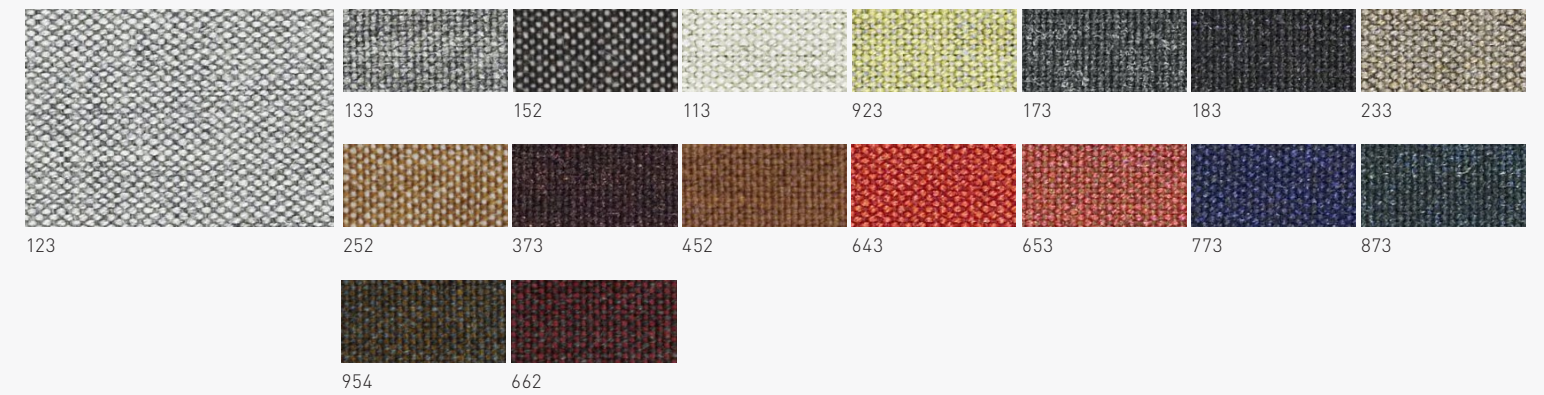
RECHECK / C3



PINE / C3



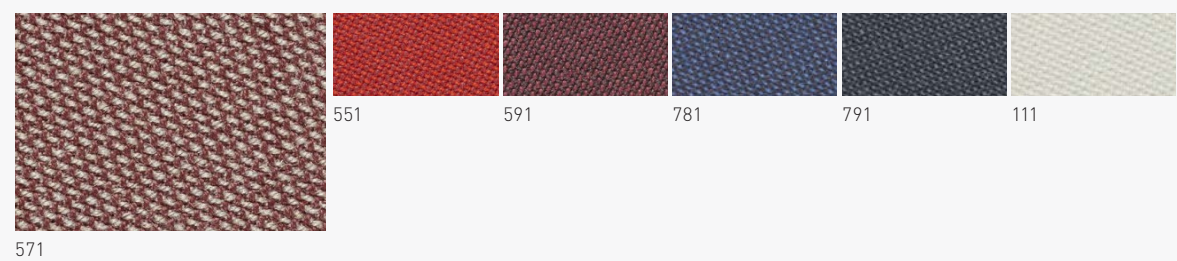
REMIX 2 / C3



CATEGORY 3
Rime & Foss

CATEGORY 4
Hallingdal 65
& Divina MD

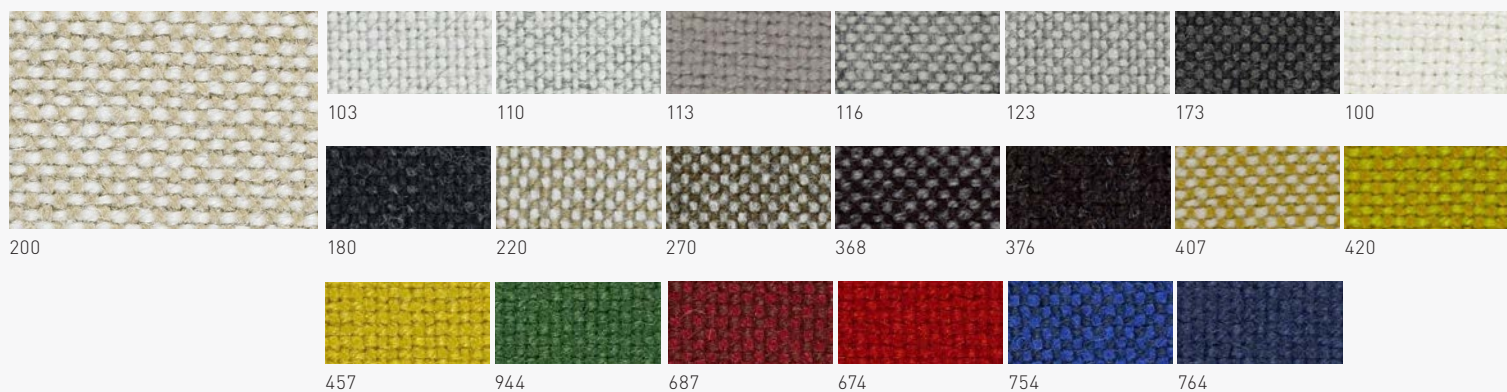
RIME / C3



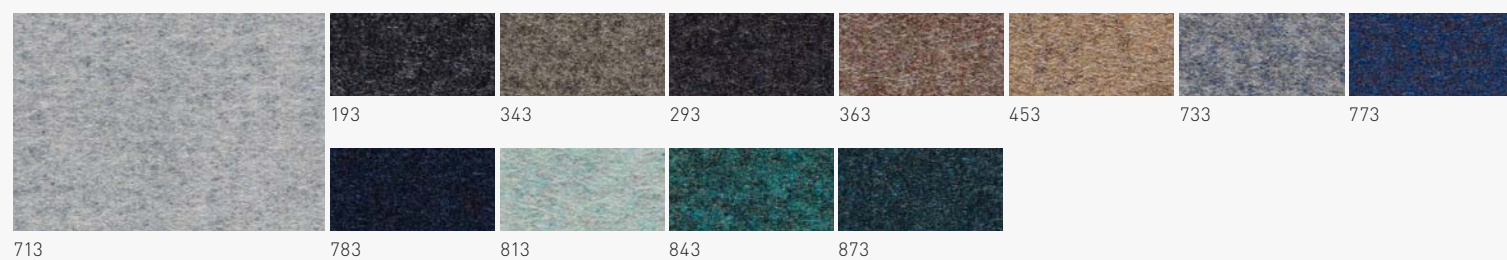
FOSS / C3



HALLINGDAL 65 / C4



DIVINA MD / C4



CATEGORY 3
Steelcut Trio 3
& Tonus Meadow

CATEGORY 5
Coda 2 & Harald 3

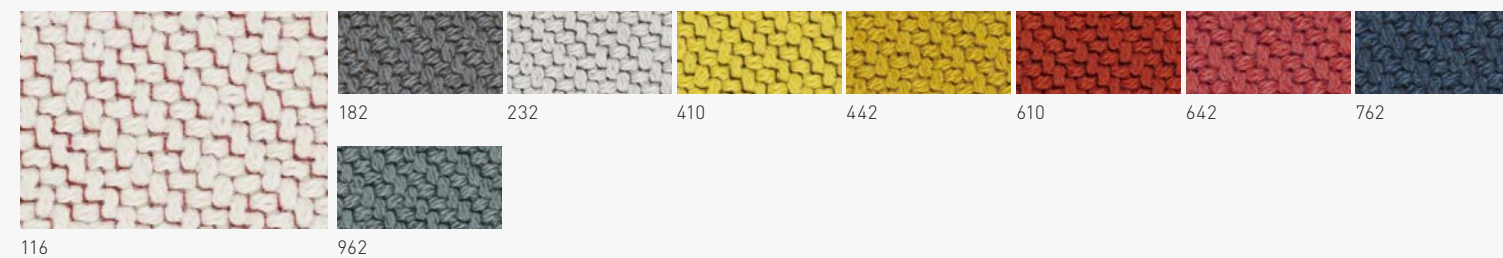
STEELCUT TRIO 3 / C4



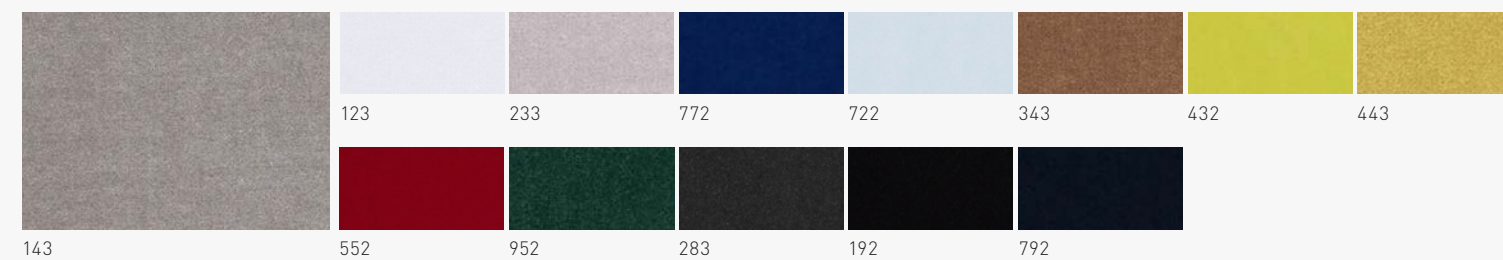
TONUS MEADOW / C4



CODA 2 / C5

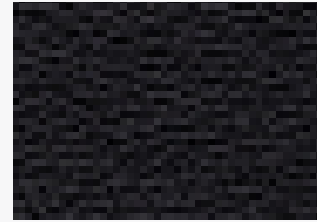


HARALD 3 / C5



LEATHER

PRIMO / C1



Black

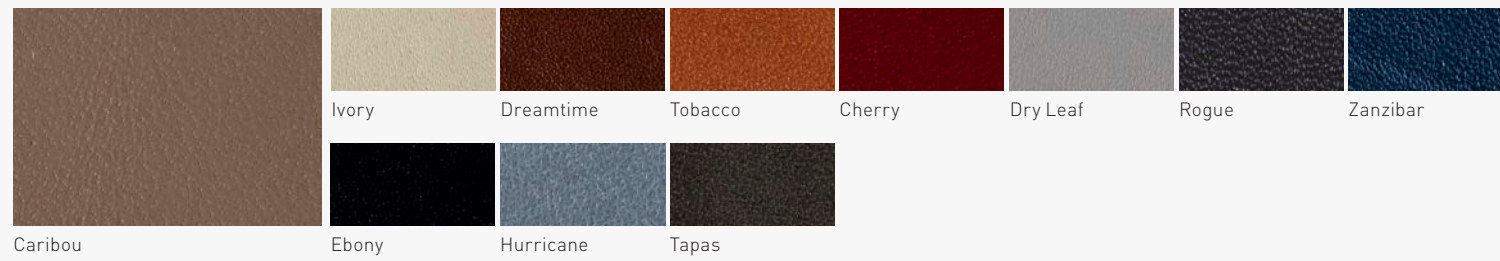
CASA / C2



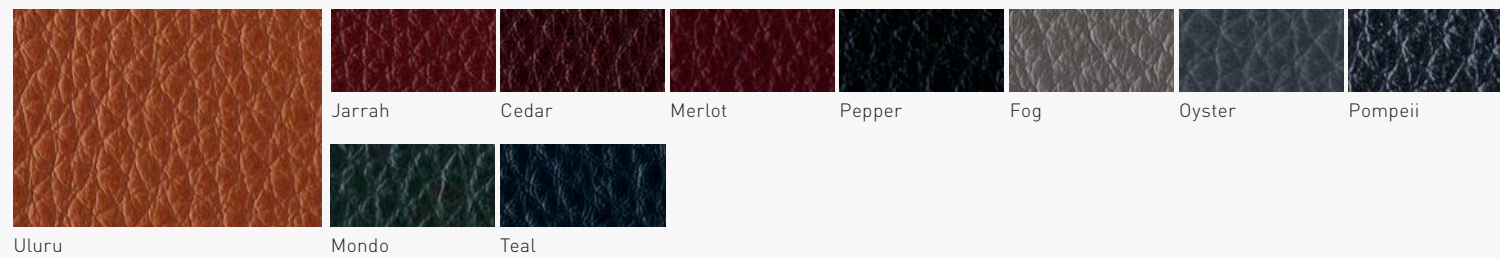
PANORAMA / C3



ASCONA / C4



SAVANNAH / C4



CATEGORY 1

Primo

CATEGORY 2

Casa

CATEGORY 3

Panorama

CATEGORY 4

Ascona & Savannah



Balanced and contemporary

Bomba Tables harmoniously integrate with the Bomba Sofa system.

An elegant family of occasional tables, these serve to independently complement a range of seating scenarios. Designed by Ivan Woods, the round, square or rectangular low floating tops sit upon distinctive tapered legs in timber or aluminium to create soft, contemporary profiles.

Suiting various personalities, tops are available in paint, veneer and stains in solid Oak, while aluminium legs can be polished or powder coated.



Measurements Bomba Tables

Square

Available in

600 x 600mm / 23.6" x 23.6"
900 x 900mm / 35.4" x 35.4"



Rectangle

Available in

900 x 600mm / 35.4" x 23.6"
930 x 600mm / 36.6" x 23.6"
1200 x 600mm / 47.2" x 23.6"
1200 x 900mm / 47.2" x 35.4"



Round

Available in

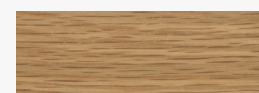
600mm / 23.6" Dia
900mm / 35.4" Dia
1200mm / 47.2" Dia



ColourLab Tabletops

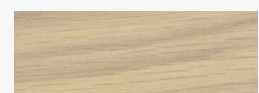
TIMBER NATURAL

Species

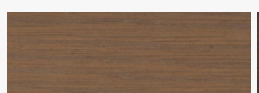


Oak

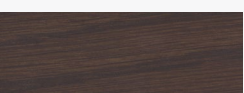
Applied Finishes



Limewood



Walnut Bianco



Walnut Milano

TIMBER PAINT



Ash

Strata

Parchment

Obsidian Glass

Black

Stone Grey



Silk Grey

Cement Grey

Grey Beige

Oxide Red

Signal Brown

Orange Brown



Pale Green

Emerald Green

Fir Green

Ruby Red

Traffic Red

Blush



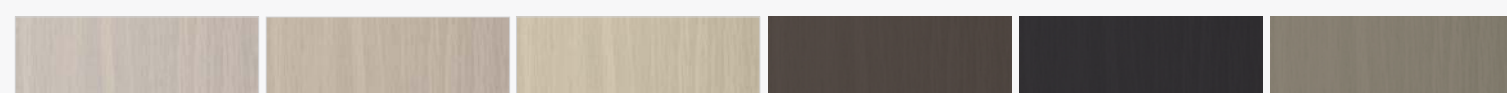
Colza Yellow

Sulfur Yellow

Steel Blue

Gentian Blue

TIMBER WASH



Ash

Strata

Parchment

Obsidian Glass

Black

Stone Grey



Silk Grey

Cement Grey

Grey Beige

Oxide Red

Signal Brown

Orange Brown



Pale Green

Emerald Green

Fir Green

Ruby Red

Traffic Red

Blush



Colza Yellow

Sulfur Yellow

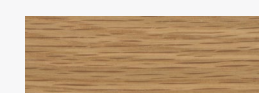
Steel Blue

Gentian Blue

Legs

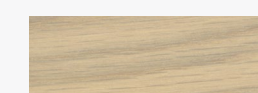
TIMBER NATURAL

Species

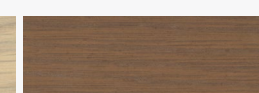


Oak

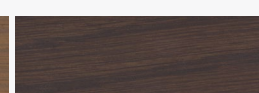
Applied Finishes



Limewood

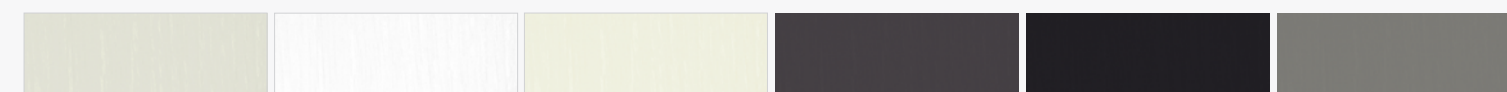


Walnut Bianco



Walnut Milano

TIMBER PAINT



Ash

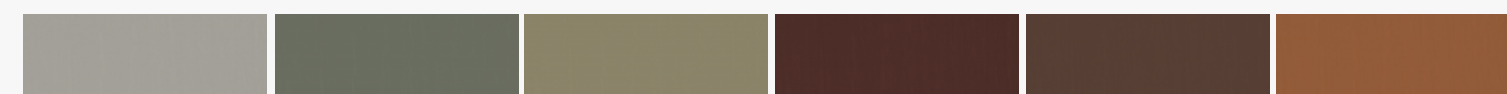
Strata

Parchment

Obsidian Glass

Black

Stone Grey



Silk Grey

Cement Grey

Grey Beige

Oxide Red

Signal Brown

Orange Brown



Pale Green

Emerald Green

Fir Green

Ruby Red

Traffic Red

Blush



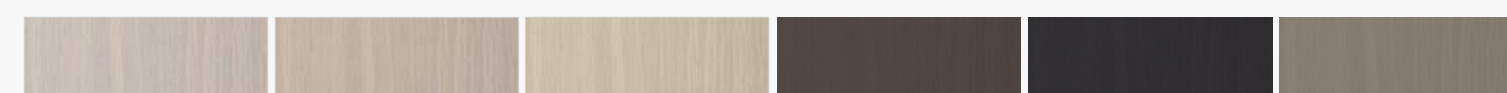
Colza Yellow

Sulfur Yellow

Steel Blue

Gentian Blue

TIMBER WASH



Ash

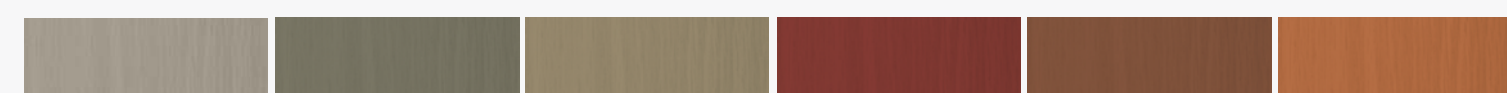
Strata

Parchment

Obsidian Glass

Black

Stone Grey



Silk Grey

Cement Grey

Grey Beige

Oxide Red

Signal Brown

Orange Brown



Pale Green

Emerald Green

Fir Green

Ruby Red

Traffic Red

Blush



Colza Yellow

Sulfur Yellow

Steel Blue

Gentian Blue

Scatter Platter

Made of a luxurious feather and down cushion insert, the pillow provides maximum comfort in three shapes: lumbar, circle and square. A piped flat-edge or boxed-edged detail, combined with an invisible zipper, makes for a clean, minimal aesthetic. Scatter Platter is available in a wide range of fabric, leather and vinyl options.



Measurements

Scatter Platter

Lumber Flat

Available in

500 x 300mm / 19.7" x 11.8"
600 x 350mm / 23.6" x 13.8"

Lumbar Box
50mm / 2"H

Available in

500 x 300mm / 19.7" x 11.8"
600 x 350mm / 23.6" x 13.8"

Round Box
50mm / 2"H

Available in

400mm / 15.7" Dia
500mm / 19.7" Dia
600mm / 23.6" Dia



Square Flat

Available in

400 x 400mm / 15.7" x 15.7"
500 x 500mm / 19.7" x 19.7"
600 x 600mm / 23.6" x 23.6"

Square Box
50mm / 2"H

Available in

400 x 400mm / 15.7" x 15.7"
500 x 500mm / 19.7" x 19.7"
600 x 600mm / 23.6" x 23.6"



ColourLab – Fabric covering

CATEGORY 1
Messenger
& Metric

CATEGORY 2
Field & Mode

FABRIC

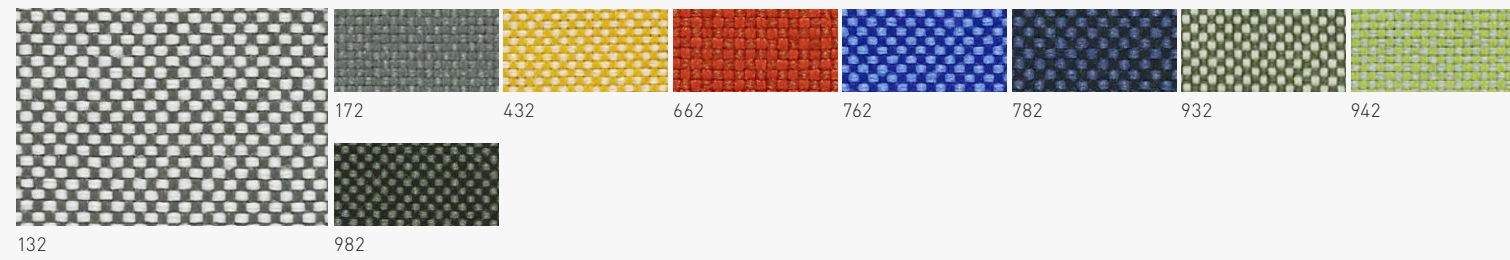
MESSENGER / C1



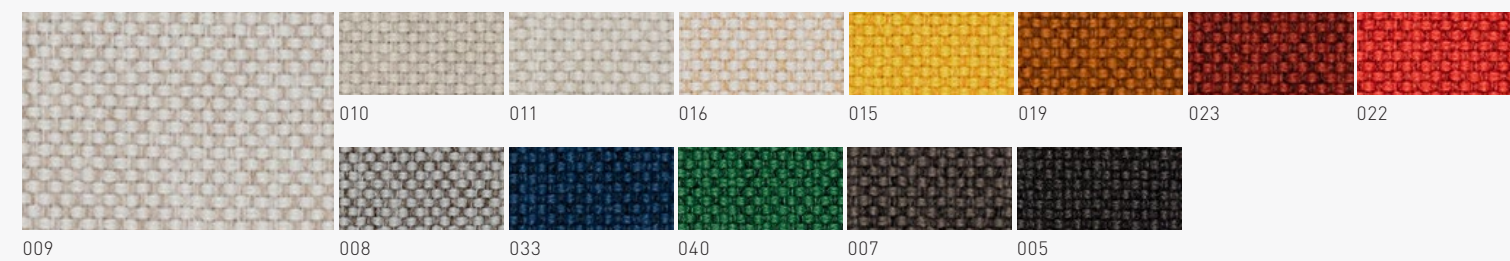
METRIC / C1



FIELD / C2



MODE / C2



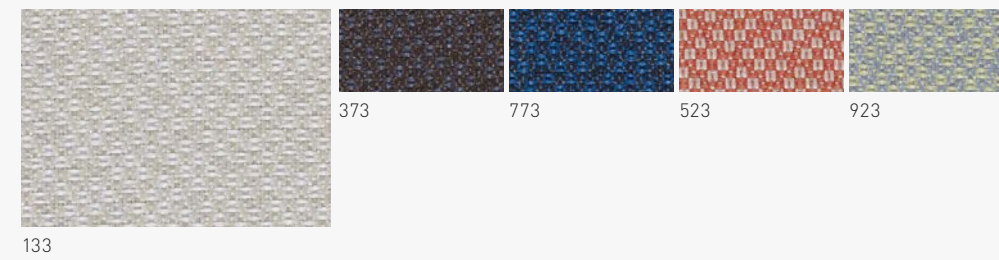
CATEGORY 2
Revive 1, Revive 2
& Umami

CATEGORY 3
Clara 2

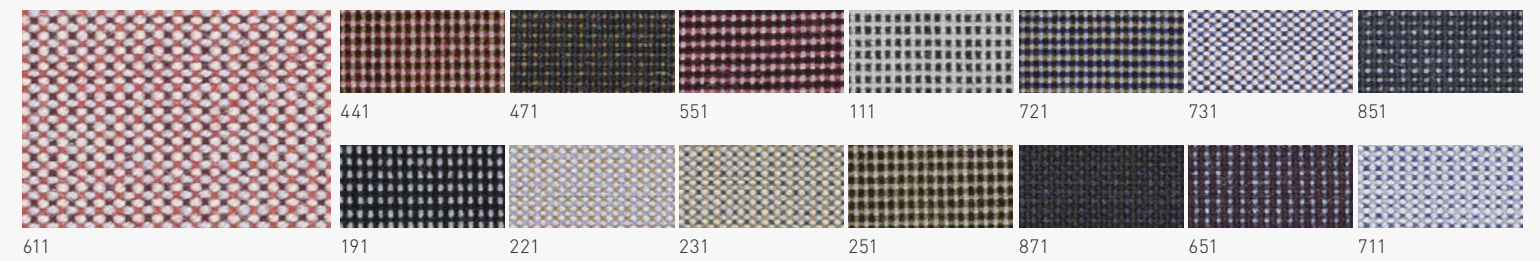
REVIVE 1 / C2



REVIVE 2 / C2



UMAMI / C2



CLARA 2 / C3

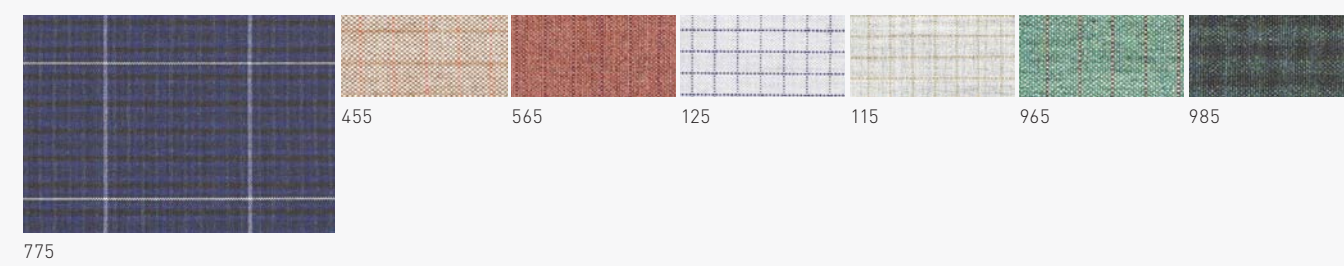


CATEGORY 3
Maple, Recheck,
& Pine, Remix 2

MAPLE / C3



RECHECK / C3



PINE / C3



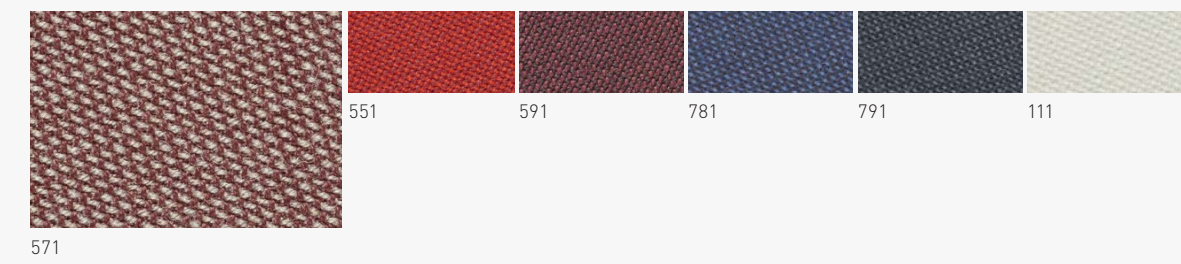
REMIX 2 / C3



CATEGORY 3
Rime & Foss

CATEGORY 4
Hallingdal 65
& Divina MD

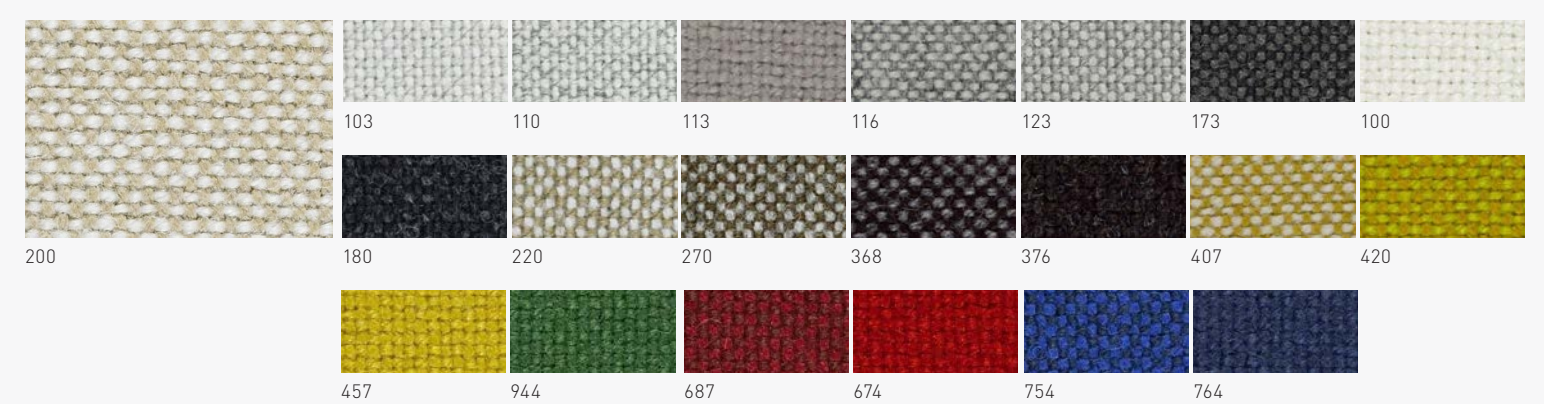
RIME / C3



FOSS / C3



HALLINGDAL 65 / C4



DIVINA MD / C4



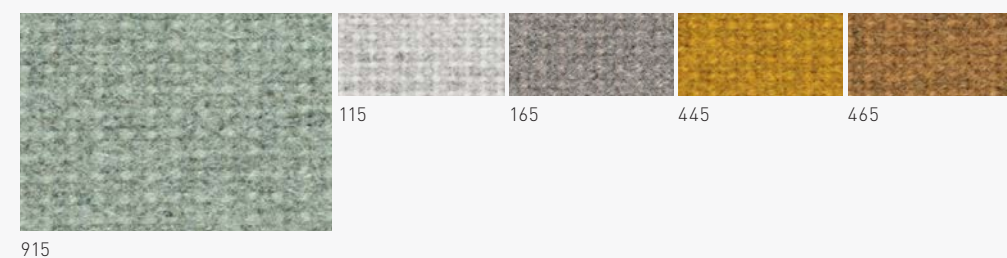
CATEGORY 3
Steelcut Trio 3
& Tonus Meadow

CATEGORY 5
Coda 2 & Harald 3

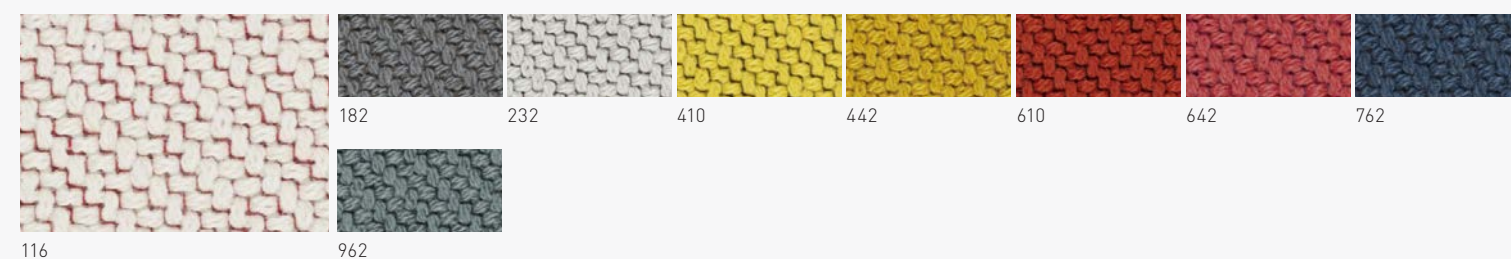
STEELCUT TRIO 3 / C4



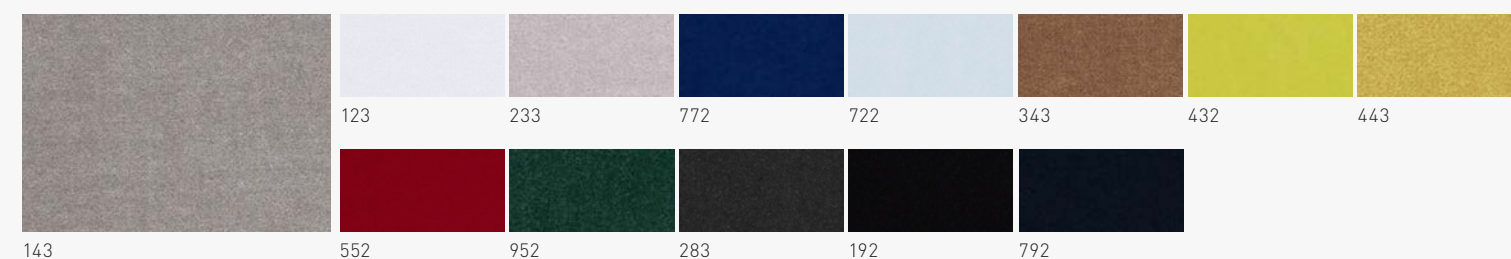
TONUS MEADOW / C4



CODA 2 / C5

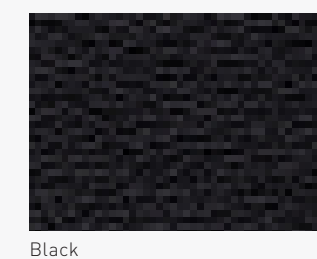


HARALD 3 / C5



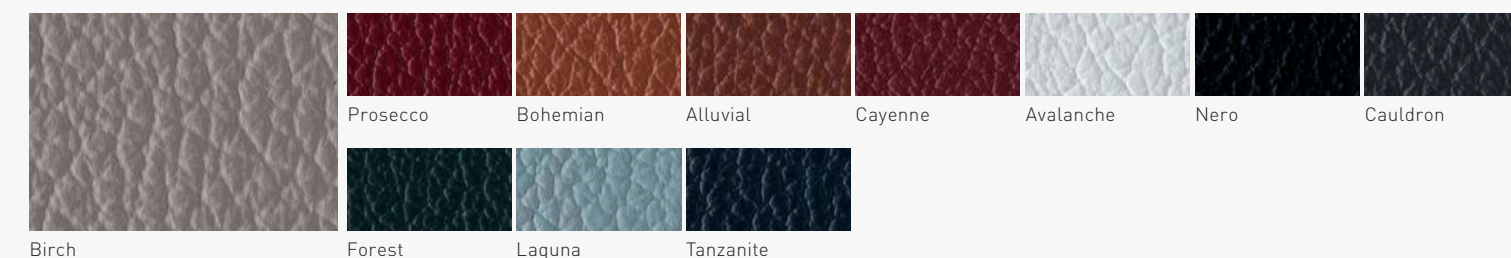
LEATHER

PRIMO / C1

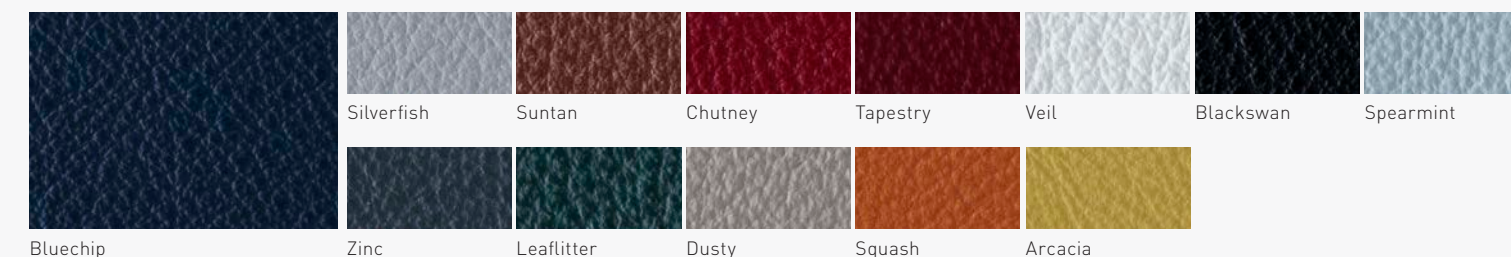


Black

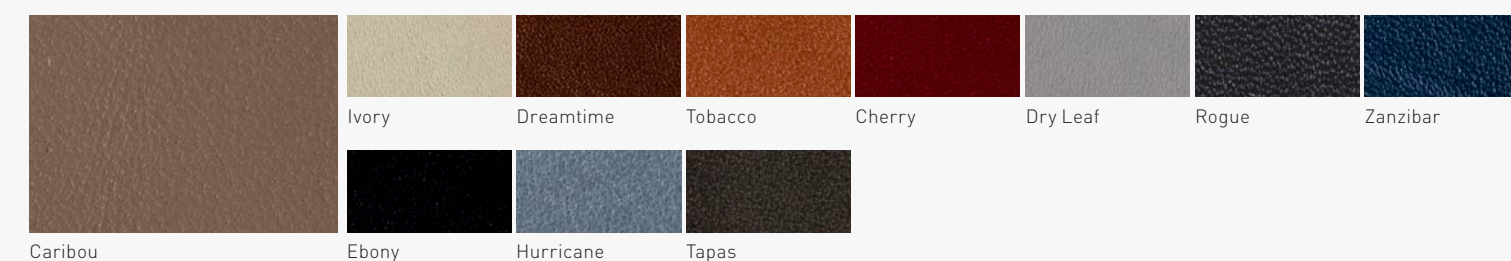
CASA / C2



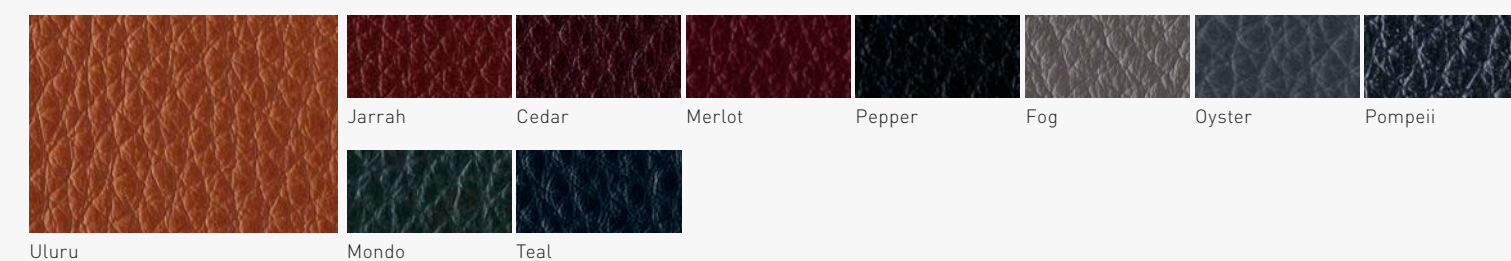
PANORAMA / C3



ASCONA / C4



SAVANNAH / C4



CATEGORY 1
Primo

CATEGORY 2
Casa

CATEGORY 3
Panorama

CATEGORY 4
Ascona & Savannah





Schiavello

Bomba

Bomba

Ecology and sustainability

Schiavello's most important commitment to sustainability is the company-wide Environmental Management System under ISO 14001. The environmental design principles realised means we design for the environment, focusing on efficient energy use and minimum emissions, longevity and durability, re-use and recycling of our products.

Our principles of ME WE (Materials, Energy, Waste Emissions) give us a simple way to think how our operations impact the environment.

Printed on an Australian made paper stock that is PEFC Certified and made from elemental chlorine free bleached pulp sourced from sustainably managed forests and non-controversial sources. It is manufactured by an ISO 14001 certified mill using renewable energy sources.

About Schiavello

Schiavello is a multi-disciplinary company dedicated to developing intelligent, inspiring, ecological and resilient solutions for the office, the home and public spaces.

Schiavello's concepts and products are developed in Australia by applying a design process that brings together the company's core design principles and engineering with the creativity of local and international designers.

The Schiavello Head Office and manufacturing facilities are integral elements of the Schiavello Philosophy. They provide the opportunity to develop a rich tapestry of knowledge that ultimately informs the right solutions and tools for an organisation and its people.

To find a Schiavello Showroom or partner in your area, please visit [schiavello.com/location](https://www.schiavello.com/location)



FS 604920

EMS 604919

All intellectual property rights and copyrights are reserved. Nothing contained in this brochure may be reproduced without written permission. Schiavello Group Pty Ltd reserves the right to change any or all details without prior notice. All dimensions stated within this document are nominal and/or approximate only and subject to variation.

SCH/C490D.2-A